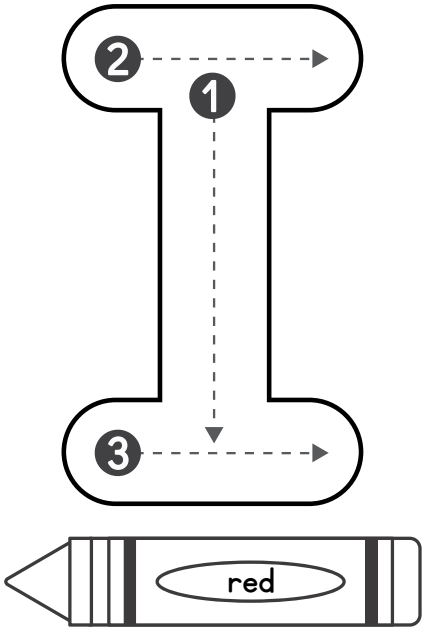
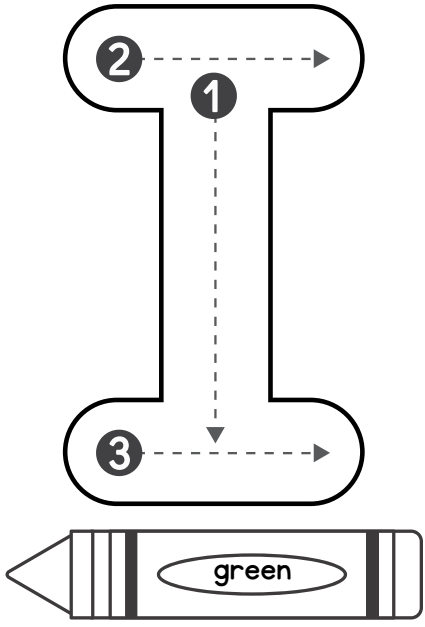
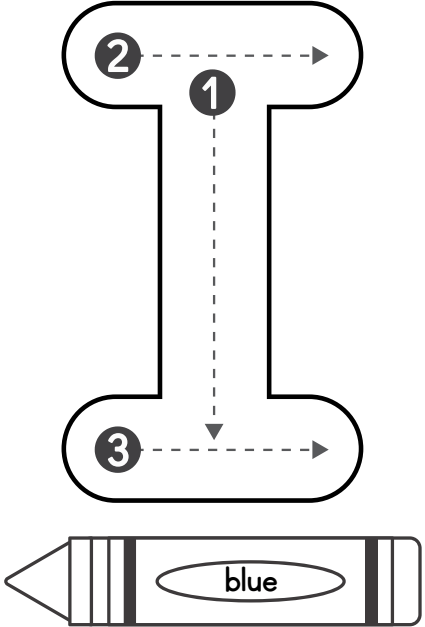
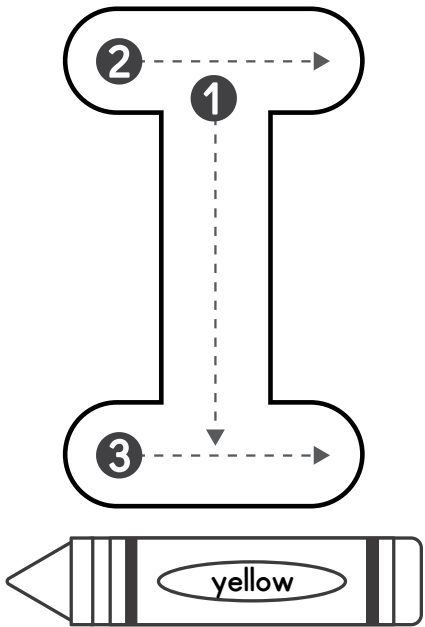


Trace these letters using the correct colors.

 <p>A large uppercase letter 'T' with three dashed lines and arrows indicating stroke order: 1 (vertical down), 2 (top horizontal right), and 3 (bottom horizontal right). Below the letter is a red crayon with the word 'red' written on its side.</p>	 <p>A large uppercase letter 'T' with three dashed lines and arrows indicating stroke order: 1 (vertical down), 2 (top horizontal right), and 3 (bottom horizontal right). Below the letter is a green crayon with the word 'green' written on its side.</p>
 <p>A large uppercase letter 'T' with three dashed lines and arrows indicating stroke order: 1 (vertical down), 2 (top horizontal right), and 3 (bottom horizontal right). Below the letter is a blue crayon with the word 'blue' written on its side.</p>	 <p>A large uppercase letter 'T' with three dashed lines and arrows indicating stroke order: 1 (vertical down), 2 (top horizontal right), and 3 (bottom horizontal right). Below the letter is a yellow crayon with the word 'yellow' written on its side.</p>